

### PARTS LIST

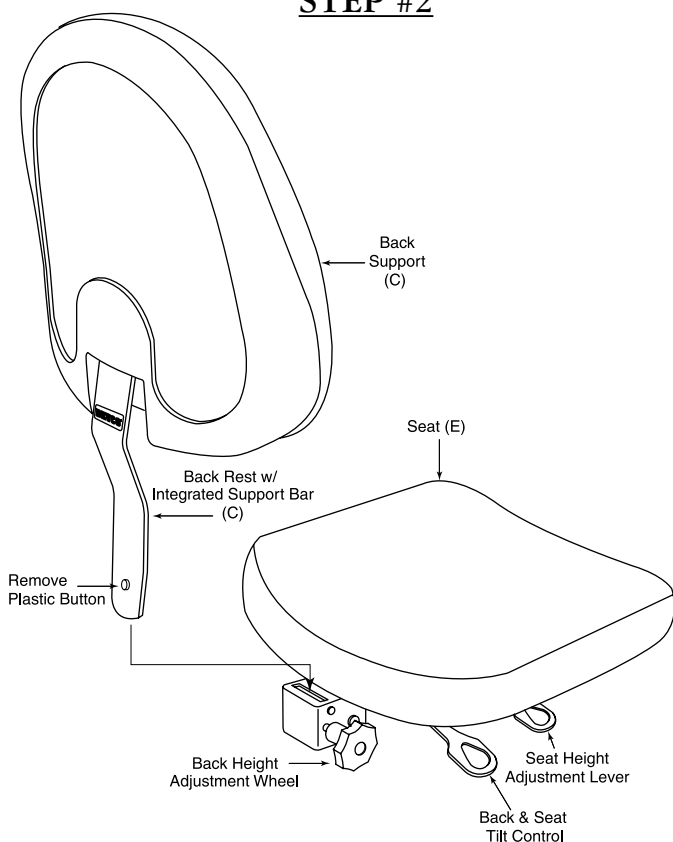
- A – Five-star Base
- B – Casters or Glides
- C – Back Support w/Integrated Support Bar

- D – Footring (some models)
- E – Seat
- F – Pneumatic Cylinder
- G – 2 Armrests (optional)
- H – Plastic Bag Includes Mushroom Glides

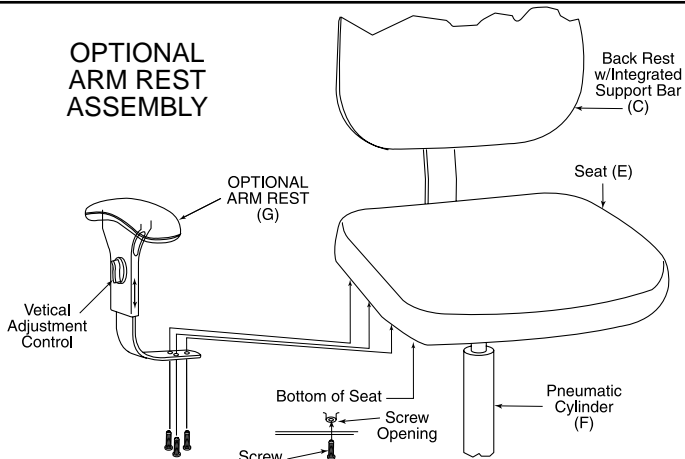
If you have any concerns or problems, please contact Bevco customer service at 800-864-2991.

Be certain to tighten all fasteners appropriately.

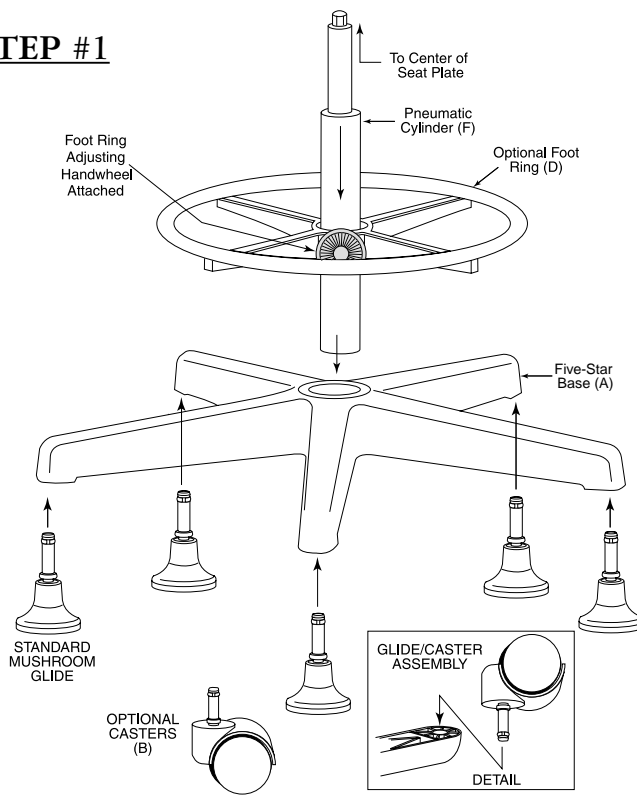
### STEP #2



### OPTIONAL ARM REST ASSEMBLY



### STEP #1



### STEP #3

