

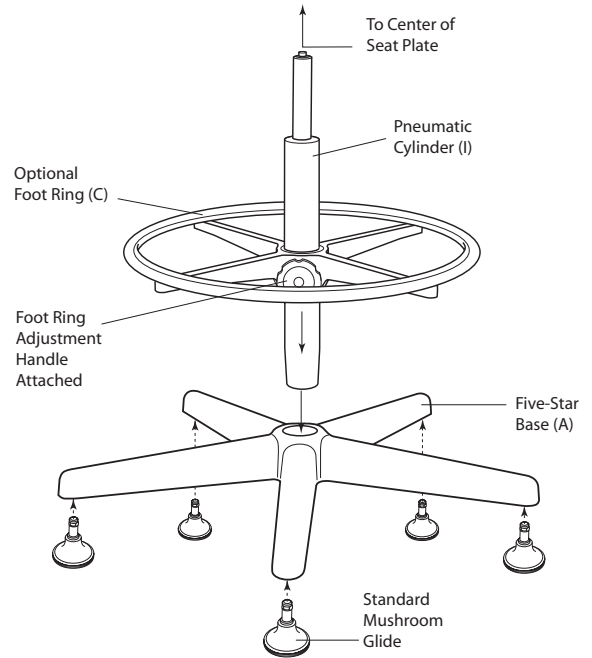
PARTS LIST

- A - Five-star Base
- B - Casters or Glides
- C - Footring (optional)
- D - Snap-in Backrest (optional)
- E - Snap-in Seats (optional)
- F - Armrests (optional)
- G - Seating Assembly
- H - Seat Back
- I - Pneumatic Cylinder

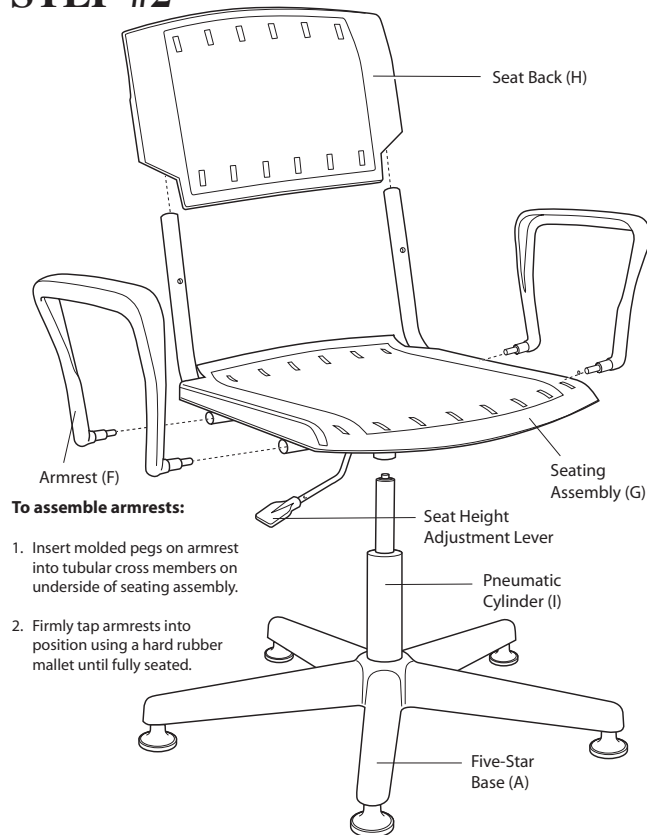
If you have any concerns or problems,
please contact Bevco customer service
at 800-864-2991.

Be certain to tighten all fasteners appropriately.

STEP #1



STEP #2



STEP #3

